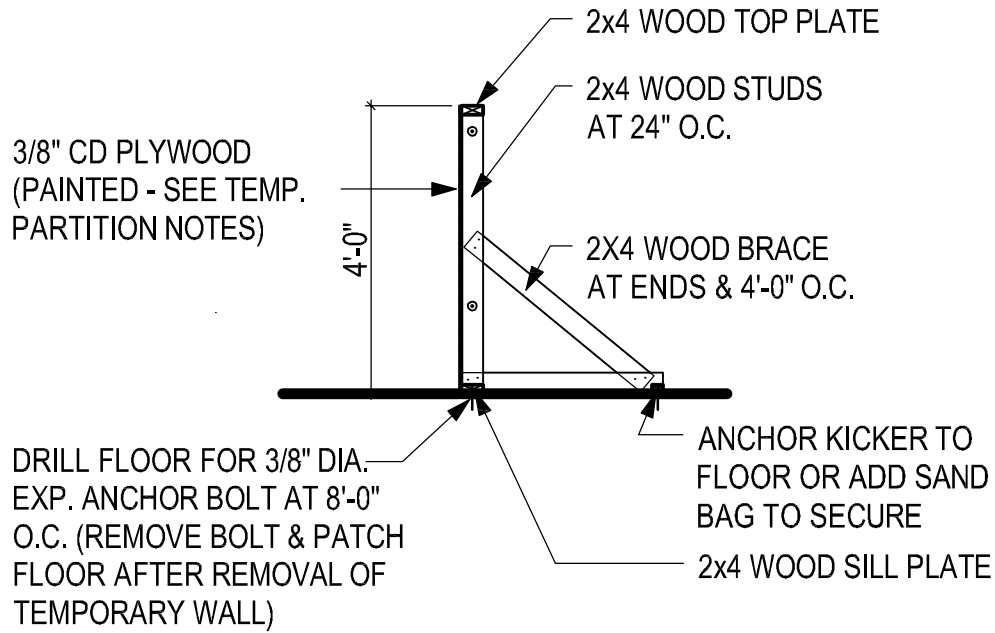


SALES AREA SIDE

WORK SIDE



SAFETY BARRIER

DATE	DEFENSE COMMISSARY AGENCY DIRECTORATE OF ENGINEERING FORT LEE, VIRGINIA - LACKLAND AFB, TEXAS		DESIGN STANDARD
JUN 2022	TITLE	REF.	013216.10-01
	TEMPORARY PARTITIONS FOR PHASED WORK	REV.	